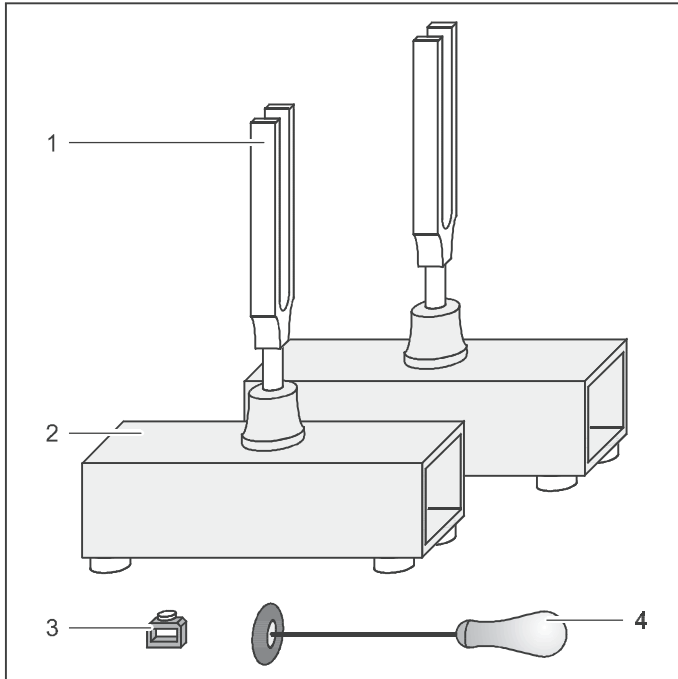


06/05-W97-Sel



## Instruction sheet 414 72

Pair of resonance tuning forks (414 72)

- 1 Resonance box
- 2 Tuning fork
- 3 Tuning weight
- 4 Striking hammer

### 1 Description

The pair of resonance tuning forks serves especially for experiments on acoustic beats. It consists of two equal tuning forks on resonance boxes. The frequency of one fork can be changed with a tuning weight.

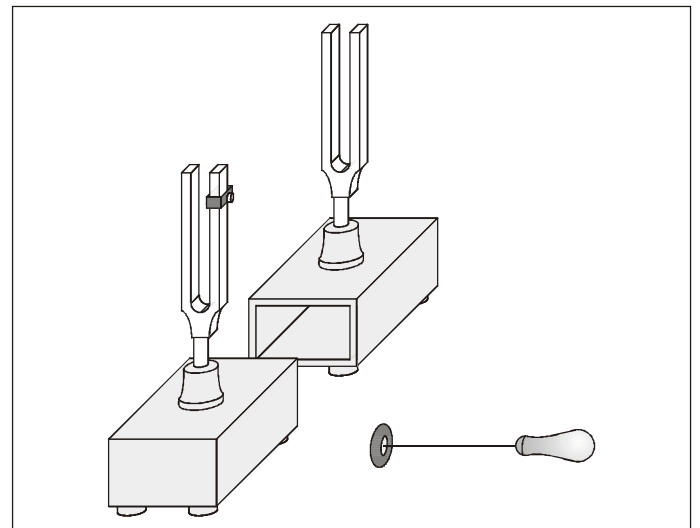
### 2 Scope of supply

- 2 Tuning forks on resonance boxes
- 1 Tuning weight
- 1 Striking hammer

### 3 Technical data

Characteristic frequency:	440 Hz
Tolerance:	approx. 0,5 Hz
Frequency change :	0 Hz (tuning weight: bottom) approx. -3 Hz (middle) approx. -20 Hz (top)
Length of tuning fork:	20 cm
Dimensions of resonance boxes:	18 cm × 9 cm × 5 cm

### 4 Experiments on beats



- Direct the openings of the resonance boxes towards each other.
- Install tuning weight at one tuning fork.
- Strike the two tuning forks one immediately after the other with the striking hammer.